

MAIN FEATURES

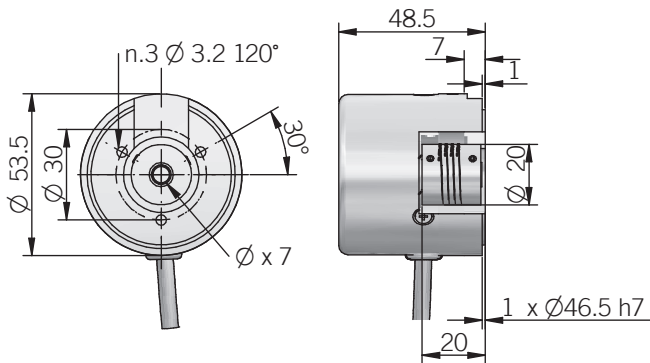
Encoder series designed to be mounted directly on motors.
Integrated elastic coupling allows radial and axial play compensation.

- 3 channel encoder (A / B / Z) up to 10000 ppr
- Power supply up to +28 VDC with several electronic interfaces available
- Up to 500 kHz output frequency
- Cable or connector output
- Available with metal cover for heavy duty applications
- Integrated elastic couplig up to 10 mm bore diameter

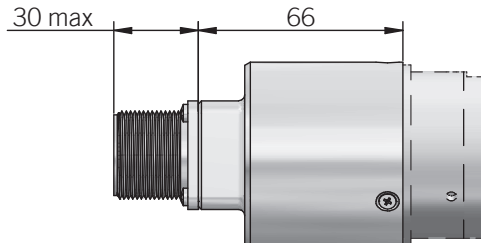


ORDERING CODE	EH	53A	M*	500	S	8/24	N	8	X	6	P	R	.N	XXX
<p>SERIES incremental encoder series EH incremental encoder series EL incremental encoder series ER</p> <p>MODEL adjustable flange model 53A adjustable flange model 53B</p> <p>METAL COVER * add for the metal cover (mod. EL) M</p> <p>RESOLUTION ppr from 1 to 10000 <i>see table for pulses availability</i></p> <p>ZERO PULSE without zero pulse S with zero pulse Z</p> <p>POWER SUPPLY (with L electronic interface) 5 V DC 5 (with L or PC electronic interface) 8 ... 24 V DC 8/24 (mod. EL / ER) 5 ... 28 V DC 5/28</p> <p>ELECTRONIC INTERFACE NPN N NPN open collector C push-pull P push-pull protected (AEIC-7272) PC line driver L (mod. EL / ER) power supply 5/28V - output RS-422 RS</p> <p>BORE DIAMETER mm 6 mm 8 mm 10</p> <p>ENCLOSURE RATING IP 54 X (mod. EL / ER) IP 64 S</p> <p>MAX ROTATION SPEED (IP 64) 3000 rpm 3 (IP 54) 6000 rpm 6</p> <p>OUTPUT TYPE cable (standard length mod. EL / ER 1,5 m - mod. EH 0,5 m)) P (mod. EL / ER) MIL connector M (mod. EL / ER) JIS-C-5432 connector J (mod. EL / ER) M12 connector M12 (mod. EL / ER) M23 connector H (mod. EL / ER) IP40 IEC 60130-9 connector C <i>female connector included, without female please add 162 as variant code</i></p> <p>DIRECTION TYPE (mod. EL - ER) axial A radial R please add for mod. EH .N</p> <p>VARIANT custom version XXX</p>														

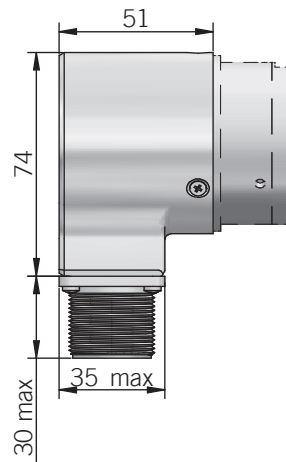
EH 53 A



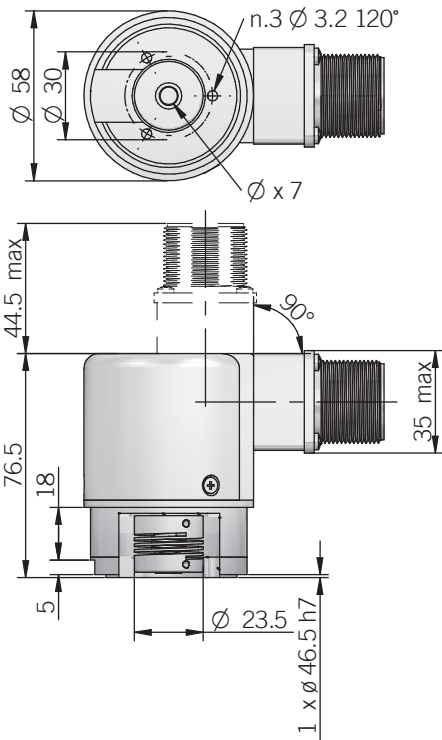
Dimensions with metal cover axial output



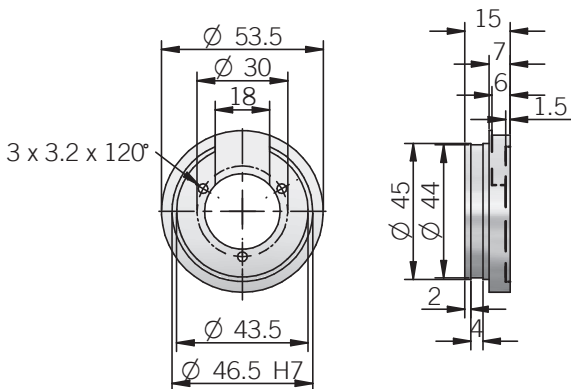
Dimensions with metal cover radial output



EL - ER 53 A



53 B flange



dimensions in mm

EH SERIES RESOLUTIONS

100 - 120 - 125 - 128 - 150 - 180 - 200 - 250 - 256 - 300 - 360 - 400 - 500 - 512 - 600 - 720 - 1000 - 1024

EL SERIES RESOLUTIONS

1 - 2 - 4 - 5 - 10 - 15 - 16 - 20 - 25 - 30 - 32 - 40 - 50 - 60 - 70 - 80 - 90 - 160 - 180 - 350 - 450 - 660 - 700

ER SERIES RESOLUTIONS

100 - 120 - 128 - 150 - 200 - 240 - 250 - 256 - 300 - **360** - 400 - 480 - **500** - 512 - **600** - 625 - **720** - 750 - 800 - 900 - **1000** - **1024** - 1200 - 1250 - 1440 - 1500 - 1600 - 1800 - **2000** - **2048** - **2500** - 3000 - **3600** - 4000 - 4096 - **5000** - 6000 - **7200** - 8000 - 8192 - 9000 - **10000**

please directly contact our offices for other pulses, preferred resolutions in bold

ELECTRICAL SPECIFICATIONS (EL - ER SERIES)

Resolution	from 1 to 10000 ppr
Power supply	5 = 4,5 ... 5,5 V DC 5/28 = 4,75 ... 29,4 V DC 8/24 = 7,6 ... 25,2 V DC (reverse polarity protection)
Power draw without load	800 mW
Max load current	N / C / P / PC = 50 mA / channel L / RS = 20 mA / channel
Output type*	NPN / NPN open collector / push-pull / line driver
Max output frequency	250 kHz up to 6.000 ppr 500 kHz from 7.200 ppr
Counting direction	A leads B clockwise (shaft view)
Electromagnetic compatibility	IEC 61000-6-2 IEC 61000-6-4

ELECTRICAL SPECIFICATIONS (EH SERIES)

Resolution	from 100 to 1024 ppr
Power supply	5 = 4,5 ... 5,5 V DC 8/24 = 7,6 ... 25,2 V DC
Current consumption without load	100 mA max
Max load current	N / C / P / PC = 50 mA / channel L = 20 mA / channel
Output type*	NPN / NPN open collector / push-pull / line driver
Max output frequency	150 kHz
Counting direction	A leads B clockwise (shaft view)
Electromagnetic compatibility	IEC 61000-6-2 IEC 61000-6-4

*output levels according to power supply, for further details please see under Technical basics section

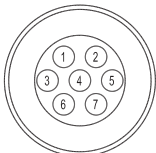
MECHANICAL SPECIFICATIONS

Bore diameter	ø 6 / 8 / 10 mm
Enclosure rating	X = IP 54 (IEC 60529) S = IP 64 (IEC 60529)
Max rotation speed	3000 rpm (IP64) 6000 rpm (IP54)
Max shaft load	200 N axial / radial
Shock	50 G, 11 ms (IEC 60068-2-27)
Vibration	10 G, 10 ... 2000 Hz (IEC 60068-2-6)
Moment of inertia	1 x 10 ⁻⁶ kgm ²
Starting torque (at +20°C / +68°F)	< 0,01 Nm
Body material	EN-AW 2011 aluminum
Shaft material	1.4305 / AISI 303 stainless steel
Housing material	PA66 glass fiber reinforced / painted aluminum
Bearings	2 ball bearings
Bearings life	10 ⁹ revolutions
Operating temperature	-10° ... +60°C (+14° ... +140°F) -25° ... +85°C (-13° ... +185°F) ER series
Storage temperature	-25° ... +70°C (-13° ... +158°F)
Weight	150 g (5,29 oz) mod. EH 350 g (12,35 oz) mod. EL

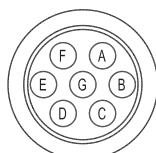
CONNECTIONS

Function	Cable output	Cable output	7 pin J output	7 pin J output	7 pin M output	7 pin M output	10 pin J output	10 pin M output	5 pin M12 output	8 pin M12 output	12 pin H output	5 pin C output	8 pin C output
	N / C / P / PC	Line driver	N / C / P / PC	Line Driver no Zero	N / C / P / PC	Line Driver no Zero	Line Driver with Zero	Line Driver with Zero	N / C / P / PC	Line Driver	CCW	N / C / P / PC	Line Driver
+V DC	red	red	6	4	F	D	4 - 5	D - E	2	7	12	5	7
0 V	black	black	1	6	A	F	6	F	4	1	10	1	8
Ch. A	green	green	3	1	C	A	1	A	3	6	5	2	1
Ch. A-	/	brown	/	3	/	C	7	G	/	5	6	/	2
Ch. B	yellow	yellow	5	2	E	B	2	B	1	4	8	4	3
Ch. B-	/	orange	/	5	/	E	8	H	/	3	1	/	4
Ch. Z	blue	blue	4	/	D	/	3	C	5	2	3	3	5
Ch. Z-	/	white	/	/	/	/	9	I	/	8	4	/	6
⊥	shield	shield	7	7	G	G	10	J	housing	housing	9	/	/

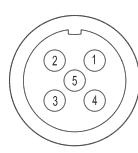
J connector (7 pin)
JIS-C-5432 Size 16
solder side view FV



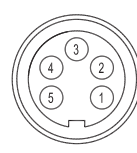
M connector (7 pin)
Amphenol MS3102-E-16-S
solder side view FV



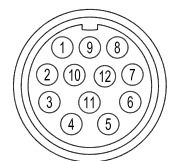
M12 connector (5 pin)
M12 A coded
solder side view FV



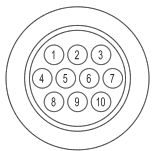
C connector (5 pin)
IEC 60130-9
solder side view FV



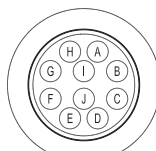
H connector (12 pin) - M23 CCW
Hummel 7.410.000000 -
7.002.912.603
solder side view FV



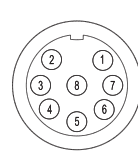
J connector (10 pin)
JIS-C-5432 Size 16
solder side view FV



M connector (10 pin)
Amphenol MS3102-E-18-1
solder side view FV



M12 connector (8 pin)
M12 A coded
solder side view FV



C connector (8 pin)
IEC 60130-9
solder side view FV

