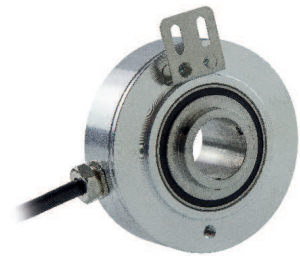


### MAIN FEATURES

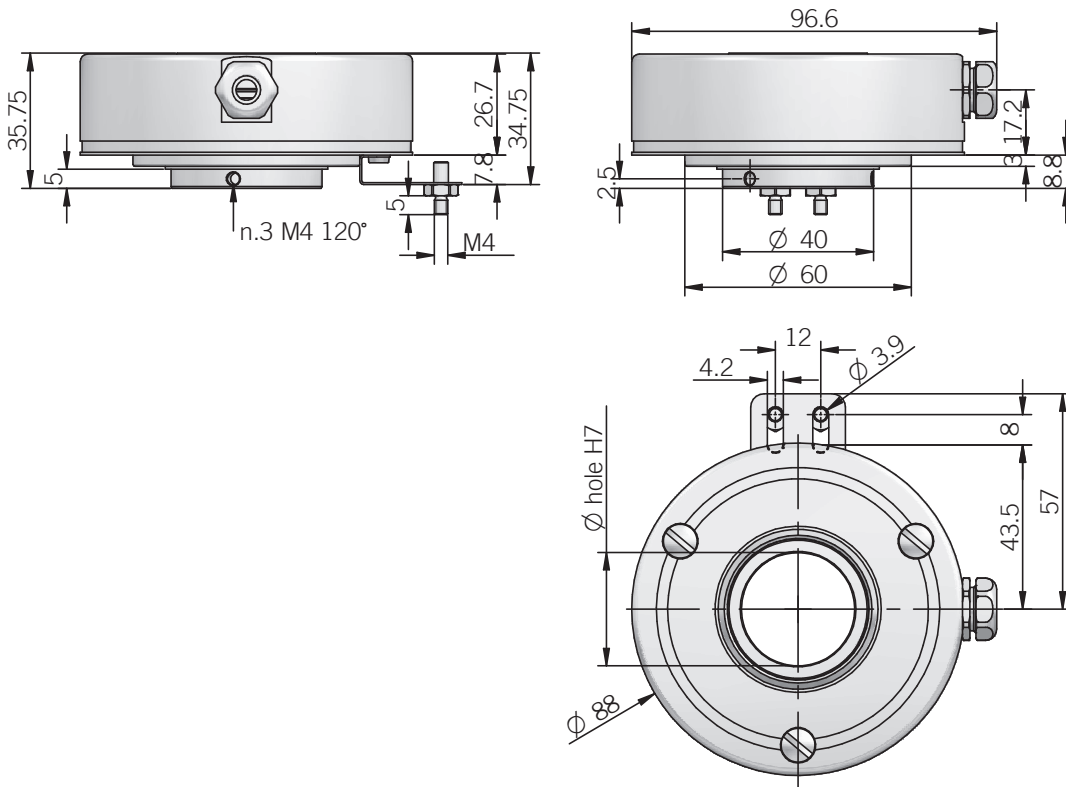
∅ 88 mm through hollow shaft encoder designed for middle size asynchronous motors.

- 3 channel encoder (A / B / Z) up to 2500 ppr
- Power supply up to +28 VDC with several electronic interfaces available
- Up to 105 kHz output frequency
- Cable output, connector available on cable end
- Sturdy mechanic
- 25 or 30 mm bore diameter, others on request
- Shaft fixing with grub screws



ORDERING CODE	EH	88P	1024	S	5/28	P	30	S	3	PR	.XXX
<p><b>SERIES</b> incremental encoder series <b>EH</b> incremental encoder series <b>EL</b></p> <p><b>MODEL</b> through hollow shaft with spring <b>88P</b></p> <p><b>RESOLUTION</b> (mod. EH) max ppr <b>2500</b> (mod. EL) max ppr <b>2048</b> <i>see table for pulses availability</i></p> <p><b>ZERO PULSE</b> without zero pulse <b>S</b> with zero pulse <b>Z</b></p> <p><b>POWER SUPPLY</b> (with L electronic interface) 5 V DC <b>5</b> (with L or PC electronic interface) 8 ... 24 V DC <b>8/24</b> 5 ... 28 V DC <b>5/28</b></p> <p><b>ELECTRONIC INTERFACE</b> NPN <b>N</b> NPN open collector <b>C</b> push-pull <b>P</b> push-pull protected (AEIC-7272) <b>PC</b> line driver <b>L</b> (mod. EH) power supply 5/28V - output RS-422 <b>RS</b></p> <p><b>SHAFT DIAMETER</b> mm <b>25</b> mm <b>30</b> <i>please directly contact our offices for other diameters</i></p> <p><b>ENCLOSURE RATING</b> IP 65 <b>S</b></p> <p><b>MAX ROTATION SPEED</b> 3000 rpm <b>3</b></p> <p><b>OUTPUT TYPE</b> radial cable (standard length 0,5 m) <b>PR</b></p> <p><b>VARIANT</b> custom version <b>XXX</b></p>											

EH - EL 88 P



n°2 anti-rotation pins are included

dimensions in mm

ELECTRICAL SPECIFICATIONS	
<b>Resolution</b>	from 250 to 2500 ppr (EH series) from 2 to 2048 ppr (EL series)
<b>Power supply</b>	5 = 4,5 ... 5,5 V DC 5/28 = 4,75 ... 29,4 V DC 8/24 = 7,6 ... 25,2 V DC (reverse polarity protection)
<b>Current consumption without load</b>	100 mA max
<b>Max load current</b>	N / C / P / PC = 50 mA / channel L / RS = 20 mA / channel
<b>Output type*</b>	NPN / NPN open collector / push-pull / line driver
<b>Max output frequency</b>	105 kHz
<b>Counting direction</b>	A leads B clockwise (shaft view)
<b>Electromagnetic compatibility</b>	IEC 61000-6-2 IEC 61000-6-4

\*output levels according to power supply, for further details please see under Technical basics section

CONNECTIONS		
Function	Cable output N / C / P / PC	Cable output Line driver
+V DC	red	red
0 V	black	black
Ch. A	green	green
Ch. A-	/	brown
Ch. B	yellow	yellow
Ch. B-	/	orange
Ch. Z	blue	blue
Ch. Z-	/	white
⊕	shield	shield

MECHANICAL SPECIFICATIONS	
<b>Shaft diameter</b>	Ø 25 / 30 mm
<b>Enclosure rating</b>	IP 65 (IEC 60529)
<b>Max rotation speed</b>	3000 rpm
<b>Shock</b>	50 G, 11 ms (IEC 60068-2-27)
<b>Vibration</b>	20 G, 10 ... 2000 Hz (IEC 60068-2-6)
<b>Moment of inertia</b>	45 x 10 <sup>-6</sup> kgm <sup>2</sup>
<b>Starting torque (at +20°C / +68°F)</b>	< 0,1 Nm
<b>Body material</b>	EN-AW 2011 aluminum
<b>Shaft material</b>	1.4305 / AISI 303 stainless steel
<b>Housing material</b>	EN-AW 2011 aluminum
<b>Bearings</b>	2 ball bearings
<b>Bearings life</b>	10 <sup>9</sup> revolutions
<b>Operating temperature</b>	-10° ... +70°C (+14° ... +158°F)
<b>Storage temperature</b>	-25° ... +85°C (-13° ... +185°F)
<b>Fixing torque for grub screws</b>	max 0,75 Nm
<b>Weight</b>	350 g (12,35 oz)

EH SERIES RESOLUTIONS
250 - 256 - 500 - <b>512</b> - 700 - 720 - <b>1000</b> - <b>1024</b> - 1440 - 2500

EL SERIES RESOLUTIONS
2 - 5 - 90 - 100 - 200 - <b>360</b> - 400 - 600 - 900 - <b>2000</b> - 2048

please directly contact our offices for other pulses, preferred resolutions in bold