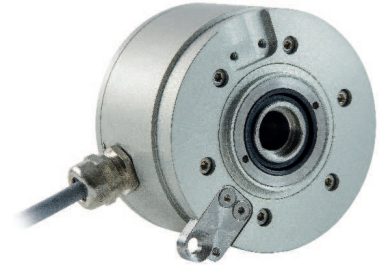


MAIN FEATURES

Encoder suitable for heavy duty applications like windmill generators, paper mills, rubber machines, cranes.

- 3 channel encoder (A / B / Z) up to 2048 ppr
- Power supply up to +30 VDC
- Up to 105 kHz output frequency
- Sturdy mechanic with anodized housing
- Up to IP 67 as enclosure rating
- Insulated bearings
- Blind hollow shaft with straight or tapered shaft
- Installation by tether or torque arm
- Operating temperature -40° ... +85°C (-40° ... +185°F)



ORDERING CODE

EH 99P F 1024 Z 5 L 16 X 3 PR .XXX

SERIES
incremental encoder series **EH**

MODEL
blind hollow shaft **99P**

TYPE
tether fixing **F**
for torque arm fixing **T**

RESOLUTION
ppr **1000 / 1024 / 2000 / 2048**
please directly contact our offices for pulses availability

ZERO PULSE
without zero pulse **S**
with zero pulse **Z**

POWER SUPPLY
5 V DC **5**
8 ... 30 V DC **8/30**

ELECTRONIC INTERFACE
push-pull **P**
line driver **L**

BORE DIAMETER
mm **12**
mm **16**
tapered mm **T17**

ENCLOSURE RATING
IP 66 **X**
IP 67 **S**

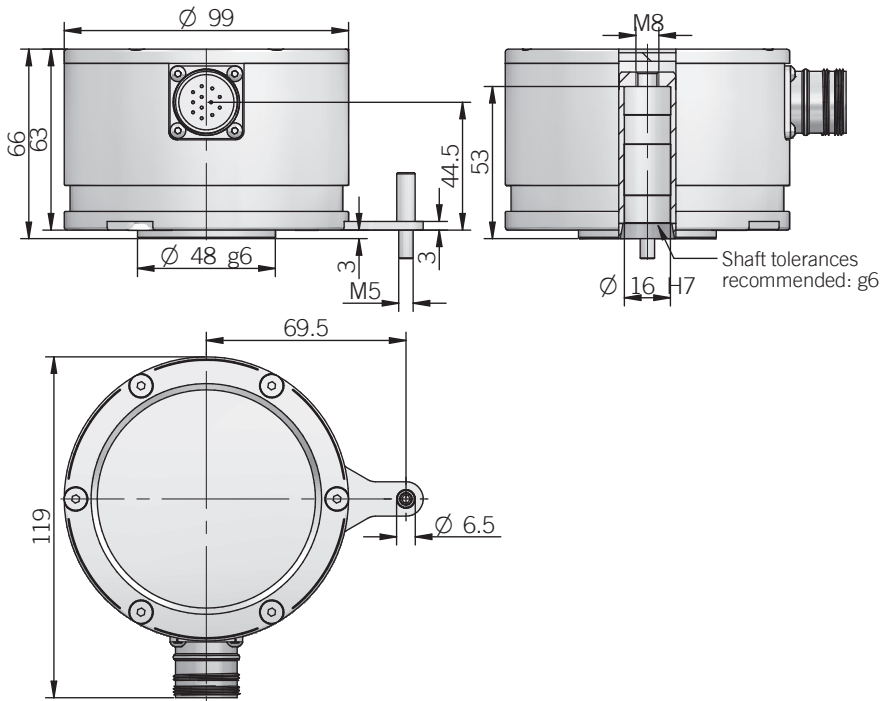
MAX ROTATION SPEED
3000 rpm **3**

OUTPUT TYPE
radial cable (standard length 0,5 m) **PR**
M23 radial connector **HR**
radial with terminal block **PGR**

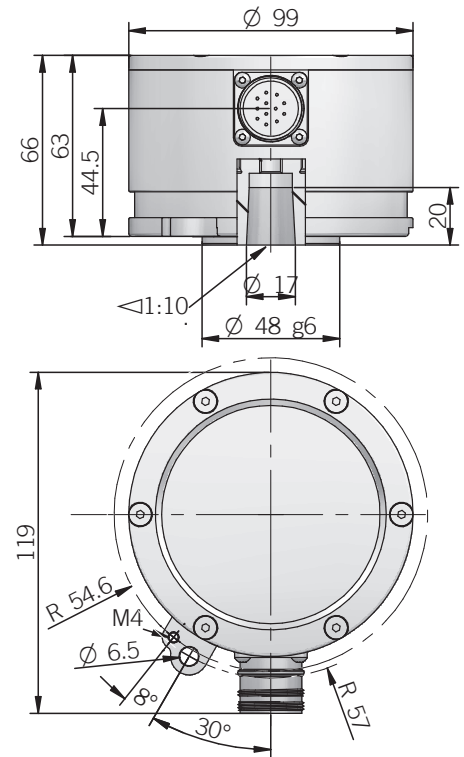
female connector included, without female please add 162 as variant code

VARIANT
custom version **XXX**

EH 99 PF



EH 99 PT



dimensions in mm

ELECTRICAL SPECIFICATIONS

Resolution	from 1000 to 2048 ppr
Power supply	5 = 4,5 ... 5,5 V DC 8/30 = 7,6 ... 30 V DC (reverse polarity protection)
Power draw without load	800 mW
Max load current	20 mA / channel
Output type*	push-pull / line driver
Max output frequency	105 kHz
Counting direction	A leads B clockwise (shaft view)
Electromagnetic compatibility	IEC 61000-6-2 IEC 61000-6-4

*output levels according to power supply, for further details please see under Technical basics section

CONNECTIONS

Function	Cable output	12 pin H output (CCW)
+V DC	red	12
0 V	grey	10
Ch. A	green	5
Ch. A-	brown	6
Ch. B	yellow	8
Ch. B-	pink	1
Ch. Z	blue	3
Ch. Z-	white	4
⊥	shield	9

MECHANICAL SPECIFICATIONS

Bore diameter	∅ 12 / 16 / T17 (tapered hollow shaft)
Enclosure rating	X = IP 66 (IEC 60529) S = IP 67 (IEC 60529)
Max rotation speed	3000 rpm
Shock	50 G, 11 ms (IEC 60068-2-27)
Vibration	10 G, 10 ... 2000 Hz (IEC 60068-2-6)
Body material	EN-AW 6026 anodized anticorrosion aluminum
Shaft material	1.4305 / AISI 303 stainless steel
Housing material	EN-AW 6026 anodized anticorrosion aluminum
Bearings	2 ball bearings
Bearings life	10 ⁹ revolutions
Operating temperature	-40° ... +85°C (-40° ... +185°F)
Storage temperature	-40° ... +85°C (-40° ... +185°F)
Weight	1200 g (42,33 oz)

H connector (12 pin) - M23 CCW
Hummel 7.410.000000 -
7.002.912.603
solder side view FV

