

MAIN FEATURES

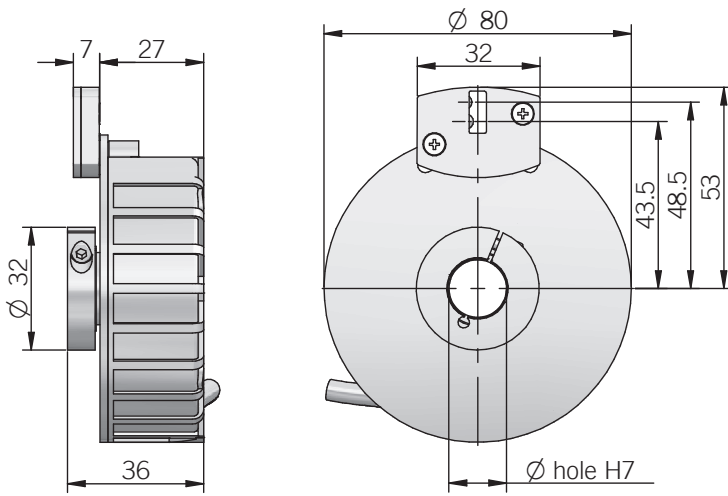
Sturdy, incremental encoder series recommended in feedback control systems on medium size AC servomotor.

- 3 channel encoder (A / B / Z) up to 2048 ppr
- Universal electronic
- Adaptable to the diameter of the motor shaft
- Extremely versatile
- Compact size
- Through hollow shaft diameter up to 15 mm with collar clamping shaft fixing



ORDERING CODE	EH	80PU	1024	Z	5/30	L	15	X	3	PR	.XXX
<p>SERIES incremental encoder series EH</p> <p>MODEL through hollow shaft with collar clamping 80PU</p> <p>RESOLUTION ppr 1000 / 1024 / 2000 / 2048 <i>please directly contact our offices for other pulses</i></p> <p>ZERO PULSE with zero pulse Z</p> <p>POWER SUPPLY 5 ... 30 V DC 5/30</p> <p>ELECTRONIC INTERFACE line driver TTL/HTL L</p> <p>BORE DIAMETER mm 14 mm 15 <i>for 12 mm or 10 mm shaft see accessories</i></p> <p>ENCLOSURE RATING IP 54 X</p> <p>MAX ROTATION SPEED 3000 rpm 3</p> <p>OUTPUT TYPE radial cable output (standard length 0,3 m) PR</p> <p>VARIANT custom version XXX</p>											

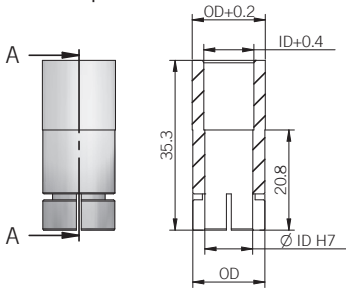
EH 80 PU



dimensions in mm

ACCESSORIES

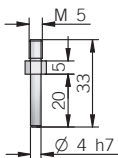
Shaft adapter



Description	P/N	ID (mm)	OD (mm)
Shaft adapter 15/10	41890366	10	15
Shaft adapter 15/12	41890367	12	15
Shaft adapter 14/10	41890371	10	15
Shaft adapter 14/12	41890372	12	14

For further shaft adapter diameters please directly contact our offices

Antirotation pin



Description	P/N	Thread	HEX
Antirotation pin	23240008	M5	7

ELECTRICAL SPECIFICATIONS

Resolution	from 1000 to 2048 ppr
Power supply	4,5 ... 30 V DC (with reverse polarity protection)
Power draw without load	800 mW
Max load current	20 mA / channel
Output type*	line driver TTL/HTL with +5 Vdc power supply output is compatible with RS-422 levels
Max output frequency	105 kHz
Counting direction	A leads B clockwise (shaft view)
Electromagnetic compatibility	IEC 61000-6-2 IEC 61000-6-4

*output levels according to power supply, for further details please see under Technical basics section

MECHANICAL SPECIFICATIONS

Bore diameter	Ø 14 / 15 mm (10 / 12 mm with shaft adapter)
Enclosure rating	IP 54 (IEC 60529)
Max rotation speed	3000 rpm
Shock	50 G, 11 ms (IEC 60068-2-27)
Vibration	20 G, 10 ... 2000 Hz (IEC 60068-2-6)
Moment of inertia	4 x 10 ⁻⁶ kgm ²
Starting torque (at +20°C / +68°F)	< 0,04 Nm
Body material	PA66 glass fiber reinforced
Shaft material	1.4305 / AISI 303 stainless steel
Housing material	PA66 glass fiber reinforced
Bearings	2 ball bearings
Bearings life	10 ⁹ revolutions
Operating temperature	-20° ... +85°C (-4° ... +185°F)
Storage temperature	-25° ... +85°C (-13° ... +185°F)
Fixing torque for collar clamping	1 Nm recommended
Weight	250 g (8,82 oz)

CONNECTIONS

Function	Cable output	Line driver
+V DC	red	
0 V	black	
Ch. A	green	
Ch. A-	gray or brown	
Ch. B	yellow	
Ch. B-	orange	
Ch. Z	blue	
Ch. Z-	white	
⊕	shield	