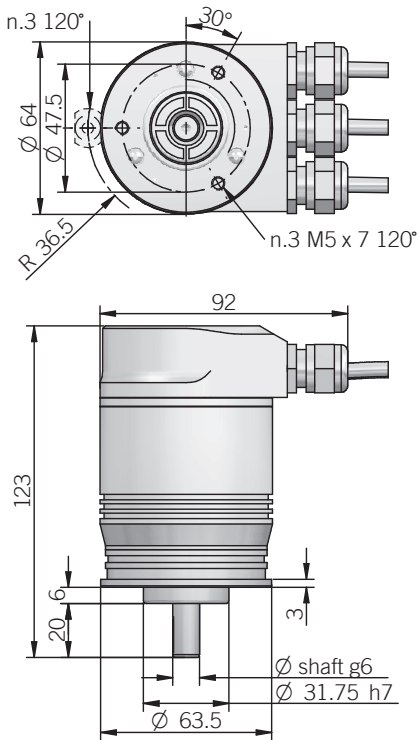


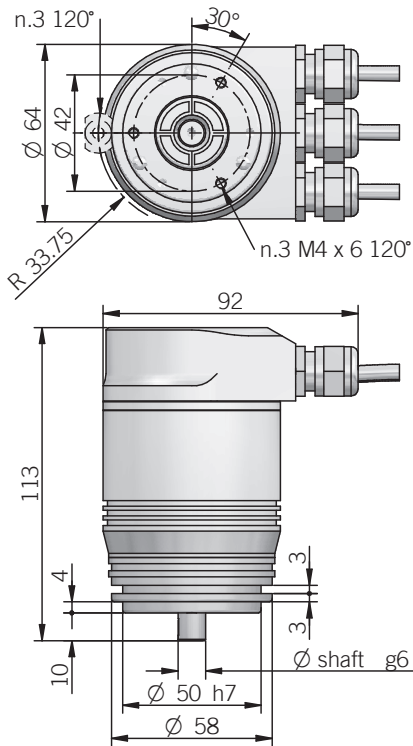
EAM 63 A

fixing clamps not included

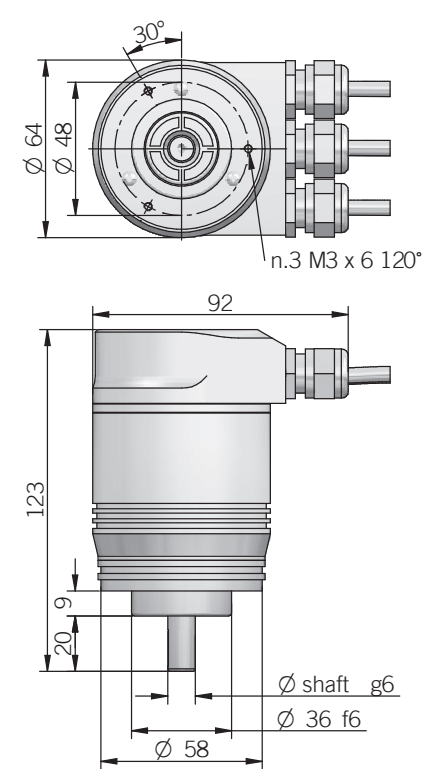


EAM 58 B

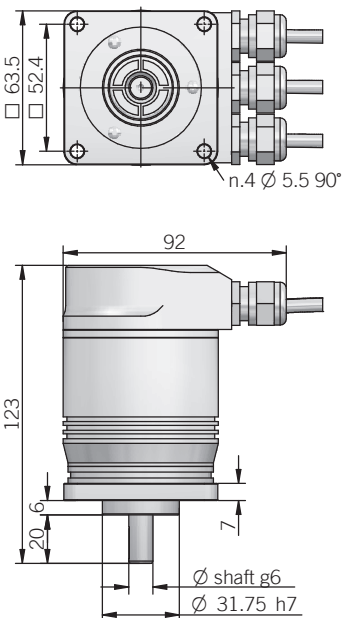
fixing clamps not included



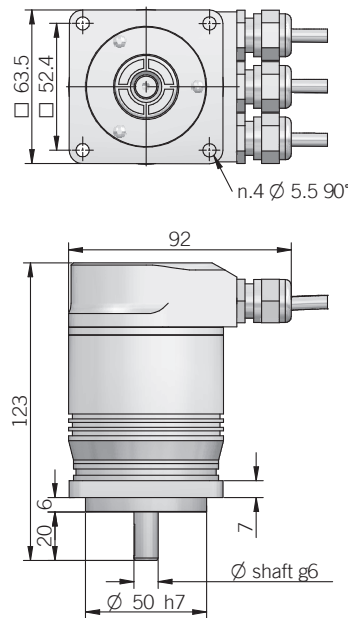
EAM 58 C



EAM 63 D



EAM 63 E



dimensions in mm

ELECTRICAL SPECIFICATIONS

Multiturn resolution	1 ... 4096 turns <i>programmable during commissioning</i>
Singleturn resolution	2 ... 4096 / 2 ... 8192 ppr <i>programmable during commissioning</i>
Power supply	12/28 = 11,4 ... 29,4 V DC
Current consumption without load	300 mA
Output type	RS 485 galvanically isolated
Max bus frequency	12 Mbaud
Diagnostic features	frequency warning position warning / alarm <i>please refer to installation guide for more informations</i>
Max frequency	25 kHz LSB
Accuracy	± 1/2 LSB
Counting direction	programmable during commissioning
Start-up time	500 ms
Electromagnetic compatibility	IEC 61000-6-2 IEC 61000-6-4

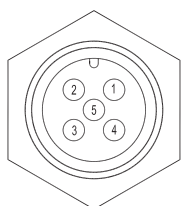
MECHANICAL SPECIFICATIONS

Shaft diameter	ø 6 / 9,52 (3/8") / 10 mm
Enclosure rating	X = IP 54 (IEC 60529) S = IP 66 (IEC 60529)
Max rotation speed	3000 rpm (IP 66) 6000 rpm (IP 54)
Max shaft load	10 N axial / 20 N radial with ø6 shaft 100 N axial / radial
Shock	50 G, 11 ms (IEC 60068-2-27)
Vibration	10 G, 10 ... 2000 Hz (IEC 60068-2-6)
Moment of inertia	1,5 x 10 ⁻⁶ kgm ²
Starting torque (at +20°C / +68°F)	< 0,02 Nm (IP 54) < 0,06 Nm (IP 66)
Body material	EN-AW 2011 aluminum
Shaft material	1.4305 / AISI 303 stainless steel
Housing material	painted aluminium
Bearings	2 ball bearings
Bearings life	10 ⁹ revolutions
Operating temperature	0° ... +60°C (+32° ... +140°F)
Storage temperature	-15° ... +70°C (+5° ... +158°F)
Weight	650 g (22,93 oz)

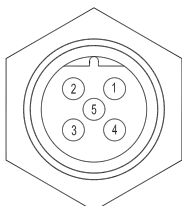
CONNECTIONS

Function	S3 connector 5-pin (power supply)	S3 connector 5-pin (line out)	S3 connector 5-pin (line in)
+ Vdc	2		
0 Volt	4		
signal A (out)		2	
signal B (out)		4	
signal A (in)			2
signal B (in)			4

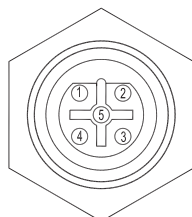
S3 connector (M12 5 pins A coded) power supply view solder side FV



S3 connector (M12 5 pins B coded) line out view solder side FV



S3 connector (M12 5 pins B coded) line in view solder side MV



ACCESSORIES

set n.3 fixing clamps for model 58 B - 63 A
P/N 94080001

