

MAIN FEATURES

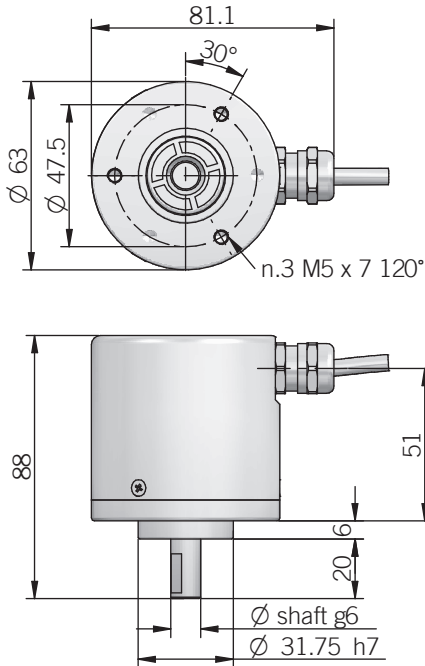
Thanks to the stainless steel enclosure, the encoder is suitable for food and beverage machinery, cranes and winches for ships, offshore applications, washing systems and all those environments where high corrosion resistance is required.

- Optical sensor technology (OptoASIC)
- Resolution up to 13 bit (8192 ppr)
- Power supply up to +28 VDC with SSI as electronic interface
- Cable output
- Solid shaft diameter up to 10 mm
- Mounting by clamping or centering 2,5" square flange

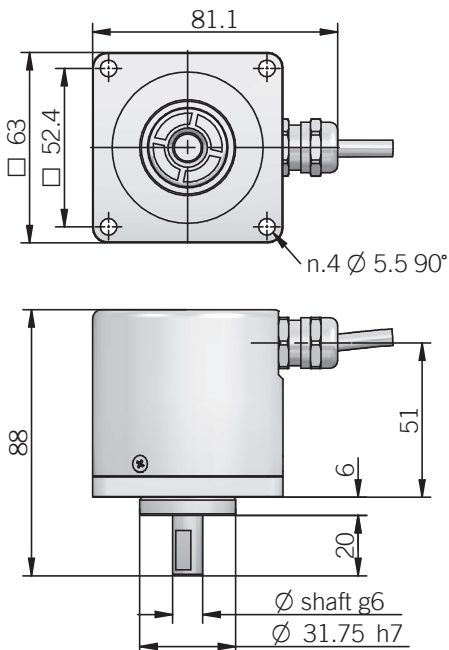


ORDERING CODE	EA	63DX	256	G	8/28	S	X	X	8	S	3	PCR	.XXX
SERIES singleturn absolute encoder EA													
MODEL clamping flange ø 31.75 mm 63AX centering square flange ø 31.75 mm 63DX													
RESOLUTION (powers of 2) ppr from 2 to 8192 (multiples and submultiples of 360) ppr from 90 to 3600 (multiples and submultiples of 1000) ppr from 250 to 4000													
CODE TYPE binary B gray G (no powers of 2) binary offset code (0-XXX) BC (no powers of 2) gray offset code (0-XXX) GC													
POWER SUPPLY 8 ... 28 V DC 8/28													
ELECTRONIC INTERFACE Serial Synchronous Interface - SSI S													
LOGIC to be reported X													
OPTIONS to be reported if not used X reset ZE													
SHAFT DIAMETER (9,52mm 3/8") mm 9 mm 10													
ENCLOSURE RATING IP 66 S													
MAX ROTATION SPEED 3000 rpm 3													
OUTPUT TYPE radial cable (standard length 1,5 m) PCR													
VARIANT custom version XXX													

EA 63 AX



EA 63 DX



dimensions in mm

ELECTRICAL SPECIFICATIONS

Resolution	from 2 to 8192 ppr
Power supply	8/28 = 7,6 ... 29,4 V DC
Current consumption without load	100 mA
Output type	RS-422
Auxiliary inputs (U/D - Reset)	active high (+Vdc) connect to 0V if not used / Reset tmin 150 ms
Clock frequency	100 kHz ... 1 MHz
SSI monostable time (Tm)	18 µs
SSI pause time (Tp)	> 35 µs
SSI frame	(MSB ... LSB) 13 bit data length
Accuracy	± 1/2 LSB
Counting direction	decreasing clockwise (shaft view)
Start-up time	150 ms
Electromagnetic compatibility	IEC 61000-6-2 IEC 61000-6-4

MECHANICAL SPECIFICATIONS

Shaft diameter	Ø 9,52 (3/8") / 10 mm
Enclosure rating	IP 66 (IEC 60529)
Max rotation speed	3000 rpm
Max shaft load	100 N axial / radial
Shock	50 G, 11 ms (IEC 60068-2-27)
Vibration	10 G, 10 ... 2000 Hz (IEC 60068-2-6)
Moment of inertia	1,5 x 10 ⁻⁶ kgm ²
Starting torque (at +20°C / +68°F)	< 0,06 Nm
Body material	1.4305 / AISI 303 stainless steel
Shaft material	1.4305 / AISI 303 stainless steel
Housing material	1.4305 / AISI 303 stainless steel
Bearings	2 ball bearings
Bearings life	10 ⁹ revolutions
Operating temperature	0° ... +60°C (+32° ... +140°F)
Storage temperature	-15° ... +70°C (+5° ... +158°F)
Weight	1000 g (35,27 oz)

CONNECTIONS

Function	Cable output
+ Vdc	red
0 Volt	black
U / D	red / blue
data +	green
data -	brown
clock +	yellow
clock -	orange or pink
RESET	white
⏏	shield