

MAIN FEATURES

Industry standard singleturn absolute encoder for factory automation applications.

- Optical sensor technology (OptoASIC)
- Resolution up to 13 bit (8192 ppr)
- Power supply up to +28 VDC with Profibus DP as electronic interface
- Cable gland or M12 connector output
- Solid shaft diameter up to 10 mm
- Mounting by synchronous, clamping or centering 2,5" square flange



ORDERING CODE

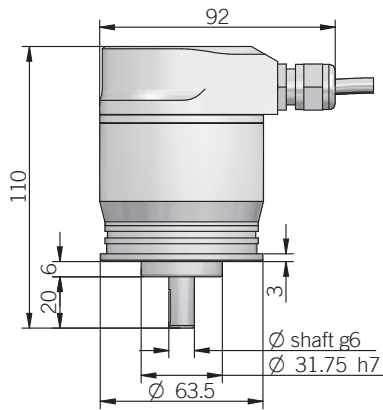
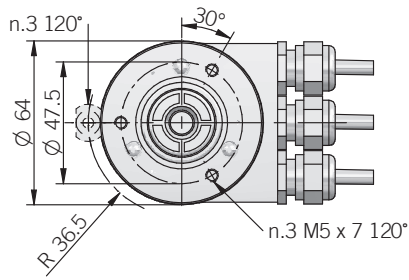
EA 63A 4096 B 12/28 FXX 10 X 6 P3R .XXX

SERIES singleturn absolute encoder EA												
MODEL synchronous flange ø 31.75 mm 63A synchronous flange ø 50 mm 58B clamping flange ø 36 mm 58C centering square flange ø 31.75 mm 63D centering square flange ø 50 mm 63E												
RESOLUTION ppr 4096 / 8192												
CODE TYPE binary B												
POWER SUPPLY 12 ... 28 V DC 12/28												
ELECTRONIC INTERFACE PROFIBUS DP V0 CLASS 2 FXX												
SHAFT DIAMETER (mod. 58 B) mm 6 (mod. 63 A / D) (9,52mm 3/8") mm 9 (mod. 58 C - 63 A / D / E) mm 10												
ENCLOSURE RATING IP 54 X IP 66 S												
MAX ROTATION SPEED (IP 66) 3000 rpm 3 (IP 54) 6000 rpm 6												
OUTPUT TYPE terminal box - radial cable glands P3R radial M12 connectors M12R <i>female connector included, without female please add 162 as variant code</i>												

VARIANT
custom version XXX

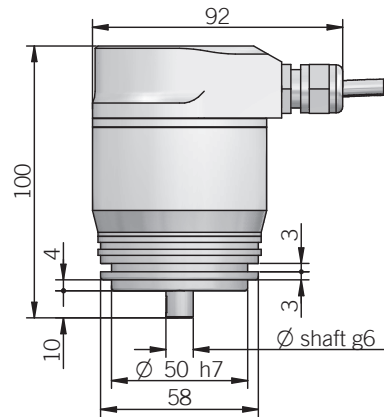
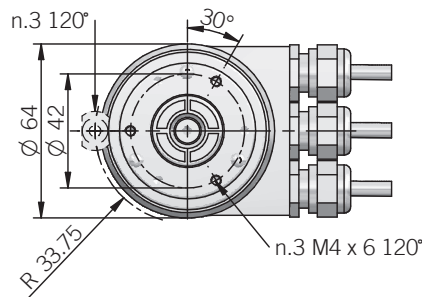
EA 63 A

fixing clamps not included

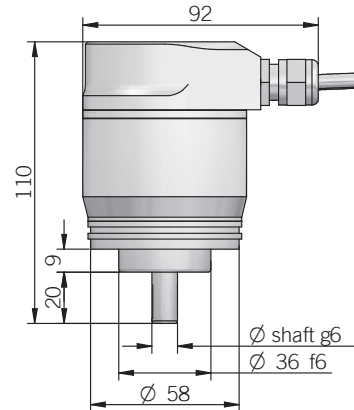
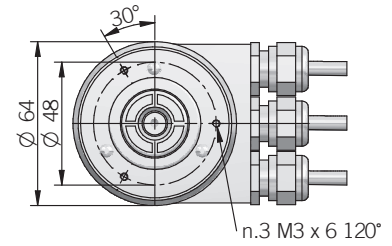


EA 58 B

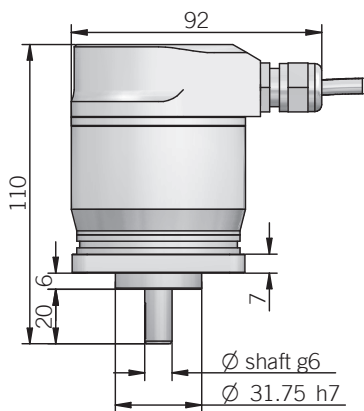
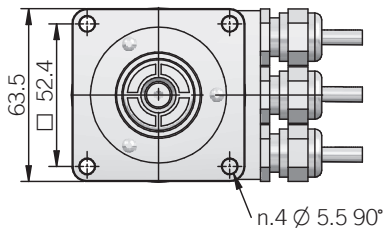
fixing clamps not included



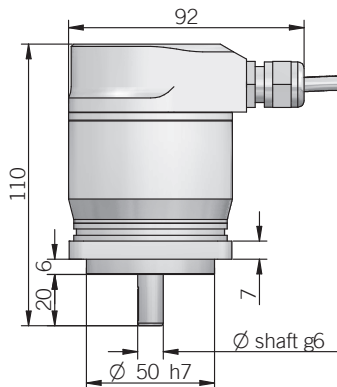
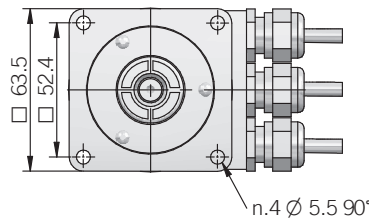
EA 58 C



EA 63 D



EA 63 E



dimensions in mm

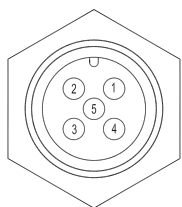
ELECTRICAL SPECIFICATIONS

Resolution	2 ... 4096 / 2 ... 8192 ppr <i>programmable during commissioning</i>
Power supply	12/28 = 11,4 ... 29,4 V DC
Current consumption without load	300 mA
Output type	RS 485 galvanically isolated
Max bus frequency	12 Mbaud
Diagnostic features	frequency warning position warning / alarm <i>please refer to installation guide for more informations</i>
Max frequency	max 25 kHz LSB
Accuracy	± 1/2 LSB
Counting direction	programmable during commissioning
Start-up time	500 ms
Electromagnetic compatibility	IEC 61000-6-2 IEC 61000-6-4

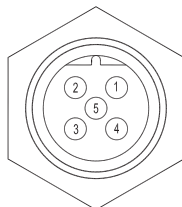
CONNECTIONS

Function	S3 connector 5-pin (power supply)	S3 connector 5-pin (line out)	S3 connector 5-pin (line in)
+ Vdc	2		
0 Volt	4		
signal A (out)		2	
signal B (out)		4	
signal A (in)			2
signal A (in)			4

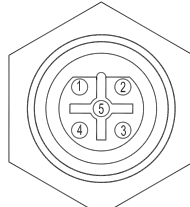
S3 connector (M12 5 pins A coded) power supply view solder side FV



S3 connector (M12 5 pins B coded) line out - female view solder side FV



S3 connector (M12 5 pins B coded) line in - male view solder side MV



MECHANICAL SPECIFICATIONS

Shaft diameter	ø 6 / 9,52 (3/8") / 10 mm
Enclosure rating	X = IP 54 (IEC 60529) S = IP 66 (IEC 60529)
Max rotation speed	3000 rpm (IP 66) 6000 rpm (IP 54)
Max shaft load	10 N axial / 20 N radial with ø6 shaft 100 N axial / radial
Shock	50 G, 11 ms (IEC 60068-2-27)
Vibration	10 G, 10 ... 2000 Hz (IEC 60068-2-6)
Moment of inertia	1,5 x 10 ⁻⁶ kgm ²
Starting torque (at +20°C / +68°F)	< 0,02 Nm (IP 54) < 0,06 Nm (IP 66)
Body material	EN-AW 2011 aluminum
Shaft material	1.4305 / AISI 303 stainless steel
Housing material	painted aluminium
Flange material	EN-AW 2011 aluminum
Bearings	2 ball bearings
Bearings life	10 ⁹ revolutions
Operating temperature	0° ... +60°C (+32° ... +140°F)
Storage temperature	-15° ... +70°C (+5° ... +158°F)
Weight	650 g (22,93 oz)

ACCESSORIES

set n.3 fixing clamps for model 58 B - 63 A
P/N 94080001

