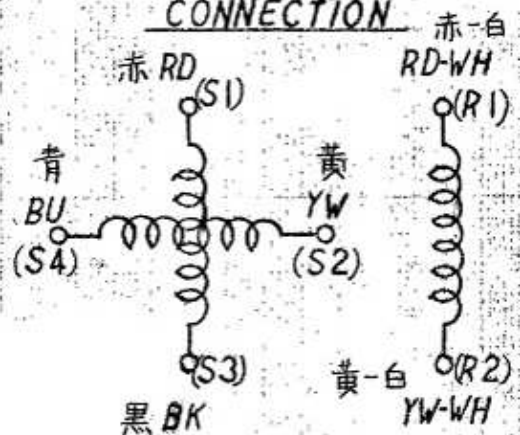


結線図  
CONNECTION



005300005F40

|                          |               |               |                            |
|--------------------------|---------------|---------------|----------------------------|
| REVISION                 |               | DIMENSION .mm |                            |
| DWN                      | DATE          | SCALE         | TYPE NO.                   |
| DSI D <i>Y. Fukuzawa</i> | 26. Jul. 1979 | 1/1           |                            |
| 3RD ANGLE PROJECTION     |               |               | TITLE                      |
| TAMAGAWA SEIKI CO., LTD  |               |               | ブラシレス レゾルバ 外形図             |
| TOKYO, JAPAN             |               |               | BRUSHLESS RESOLVER OUTLINE |
| APP D <i>W. ...</i>      | DWG. NO       |               | F 40328                    |
| APP D <i>S. ...</i>      | SHEET         |               | OF                         |