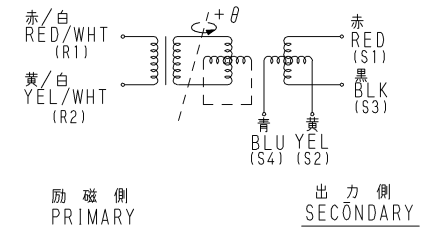
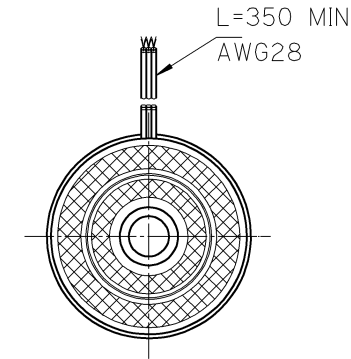
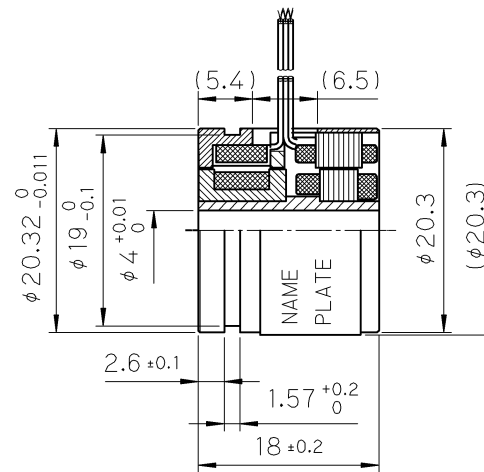


| 項目<br>CHARACTERISTICS                  | 仕様<br>SPECIFICATIONS        | 備考<br>REMARKS           |
|--|-----------------------------|-------------------------|
| 機能<br>FUNCTION                         | 1X-BRX                      |                         |
| 入力電圧<br>INPUT VOLTAGE                  | AC 7Vrms 10kHz              |                         |
| 励磁側<br>PRIMARY                         | ロータ<br>ROTOR                |                         |
| 変圧比 (K)<br>TRANSFORMATION RATIO        | 0.5 ± 5%                    |                         |
| 電気誤差<br>ELECTRICAL ERROR               | ±10' MAX                    | 機械角<br>MECHANICAL ANGLE |
| 残留電圧 (総合値)<br>RESIDUAL VOLTAGE (TOTAL) | 20 mVrms MAX                |                         |
| 位相ずれ<br>PHASE SHIFT                    | +10° NOM                    |                         |
| 入力電流<br>INPUT CURRENT                  | 50 mA NOM                   |                         |
| 入力インピーダンス<br>INPUT IMPEDANCE           | Z <sub>Ro</sub> 140 Ω ± 20% |                         |
| 出力インピーダンス<br>OUTPUT IMPEDANCE          | Z <sub>Ss</sub> 120 Ω ± 20% | AT θ=0°(S1-S3)          |
| 耐電圧<br>DIELECTRIC STRENGTH             | AC 500Vrms 1min             | 50 (60) Hz              |
| 絶縁抵抗<br>INSULATION RESISTANCE          | 100 MΩ MIN                  | DC 500V                 |
| 質量<br>MASS                             | 0.03 kg NOM                 |                         |
| 許容回転数<br>MAX OPERATING SPEED           | 40000 min <sup>-1</sup>     |                         |
| 動作温度範囲<br>OPERATING TEMP. RANGE        | -55°C ~ +155°C              |                         |

Smartsyn PAT.PEND

| REVISIONS |   |          |      |
|-----------|---|----------|------|
| No.       | DESCRIPTION   | DATE     | SIGN |
| NO.2      | STRUCTURE CHANGED   | 98. 5.20 |      |
| NO.3      | SPECIFICATIONS CHANGED  | 98. 7. 6 |      |
| NO.4      | CORRECTED (MISS WRITING)  | 98. 7.16 |      |
| NO.5      | TOLERANCE OF SLOT WIDTH, OUTPUT EQUATION CHANGED                              | 98. 9.25 |      |
| NO.6      | MAX OPERATING SPEED CHANGED<br>30000min <sup>-1</sup> →40000min <sup>-1</sup> | 08.12.18 |      |



配線図  
SCHEMATIC DIAGRAM

NOTE:

- DIMENSION: mm
- ( ) 内寸法は参考値である。DIMENSION IN ( ) IS REFERENCE.
- 指定なき寸法公差±0.4mmとする。  
UNLESS OTHERWISE SPECIFIED, TOLERANCE IS ±0.4mm.
- 出力電圧方程式  
OUTPUT EQUATION  

$$E_{S1-S3} = K E_{R1-R2} \cos \theta$$

$$E_{S2-S4} = -K E_{R1-R2} \sin \theta$$
 + θ: 取付フランジ側から見てロータCCW回転時。  
ROTOR IS CCW ROTATION VIEWED FROM MOUNTING FLANGE END.
- 通常検査項目は○印項目のみとする。ただし、○印項目以外は個別要求による。  
○ ITEM SHOULD BE MEASURED AS NORMAL INSPECTION.  
ANOTHER ITEMS ARE MEASURED IN CASE OF CUSTOMER'S REQUEST.
- 各項目は、周囲温度23°C±5°C、相対湿度70%RH以下、取付誤差0における測定値とする。  
EACH ITEM IS MEASURED AT 23°C±5°C, 70%RH OR LESS OF RELATIVE HUMIDITY,  
AND MOUNTING ERROR 0.

MFG No. 026050001K40

|                    |                  |                          |  |   |   |   |   |   |    |    |    |       |
|--------------------|------------------|--------------------------|--|---|---|---|---|---|----|----|----|-------|
| DS'D<br>H. Tagawa  | DATE<br>98. 3.27 | MODEL NO.<br>TS2605N1E64 | TITLE<br>ブラシレスレゾルバ<br>BRUSHLESS RESOLVER |   |   |   |   |   |    |    |    |       |
| CH'D<br>H. Tagawa  | SCALE<br>2/1     | 3RD ANGLE PROJECTION     |  |   |   |   |   |   |    |    |    |       |
| APP'D<br>id. ManAs | DWG NO.          | 3                        | 4  | 5 | 6 | 7 | 8 | 9 | 10 | 11 | 12 | SHEET |
|                    |                  | 0                        | 2  | 6 | 0 | 5 | 0 | 0 | 0  | 1  | S  | 30 /  |