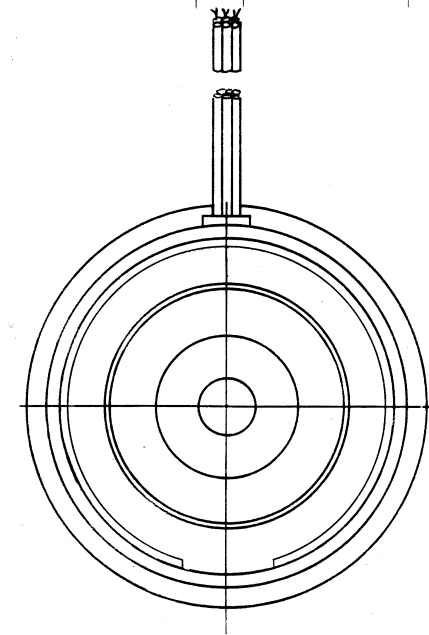
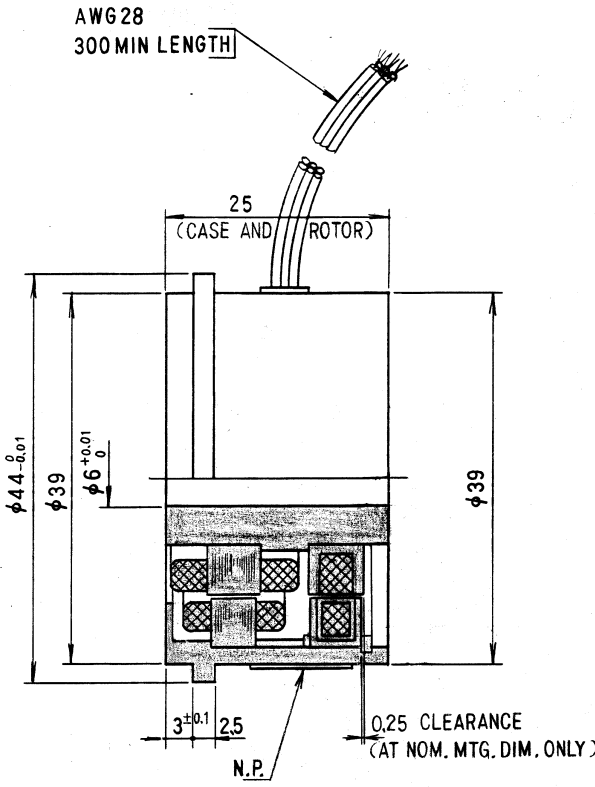
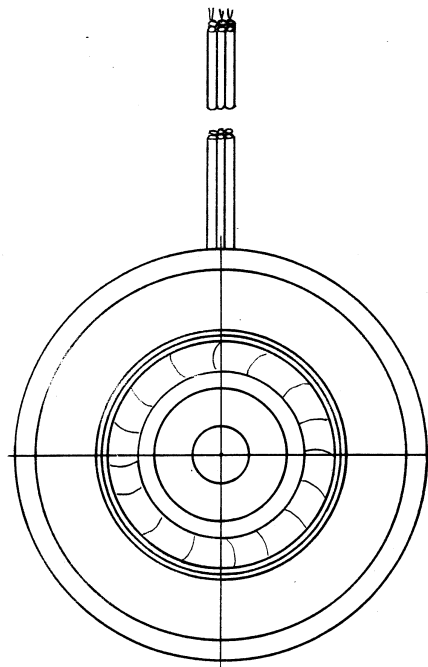
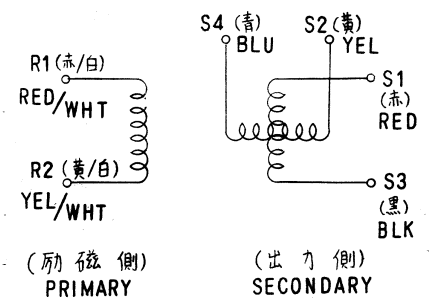


REVISIONS			
NO.	DESCRIPTION	DATE	SIGN



結線図
WIRING DIAGRAM



F3-31324

DIMENSION : MM

ITEM NO.	PART NO.	PART NAME	QTY	MATERIAL	SPEC							
LIST OF MATERIAL												
DATE: 11-25-87		MODEL NO.: TS2031 N 70 Series		TITLE: ブラシレス レゾルバ 外形図								
SCALE: 2/1		3RD ANGLE PROJECTION		BRUSHLESS RESOLVER OUTLINE								
DWG NO. 020310008F30		3	4	5	6	7	8	9	10	11	12	SHEET

指定なき寸法公差は±0.5%とする
UNLESS OTHERWISE SPECIFIED, TOLERANCE IS ±0.5%